

STAINLESS STEEL KETTLE



Instructions manual

220-240V, 50/60Hz, 600-2500W

This appliance can be used by children aged from 8 years and above and by persons with reduced physical, sensory or mental capabilities or lack of experience and knowledge if they have been given supervision or instruction concerning use of the appliance in a safe way and understand the hazards involved.

Cleaning and user maintenance shall not be made by children unless they are older than 8 and supervised.

Keep the appliance and its cord out of reach of children aged less than 8 years.

Children shall not play with the appliance.

The appliance can be used by persons with reduced physical, sensory or mental capabilities or lack of experience and knowledge if they have been given supervision or instruction concerning use of the appliance in a safe way and if they understand the hazards involved.

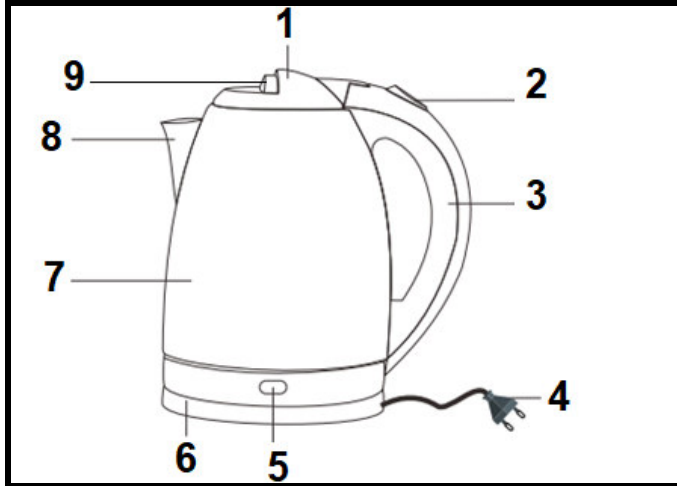
Please read this instructions manual before using the device for the first time and keep it for further reference.

IMPORTANT SAFETY INSTRUCTIONS

- This appliance is only intended for home use.
- Before connecting the kettle, check that the supply voltage indicated on the rating plate of the appliance matches that of your installation
- Only connect the appliance to a grounded socket.
- Do not operate the appliance if the power cord or plug shows signs of failure, if the appliance has fallen to the floor, or was damaged by other means. If this is the case, ask a technician to inspect the appliance and to repair if necessary.
- Check that the power cord does not hang near a table or worktop to prevent a fall.
- Protect the kettle and cable from sources of heat, direct exposure to sunlight, moisture, and sharp edges.
- Ensure to put the kettle and its base on a hot surface such as a hotplate. Do not use near an open flame.
- Do not use the kettle when your hands are wet, or feet are bare.
- Disconnect the plug from the socket when not using the kettle, when cleaning it or in case of malfunction.
- Ensure to turn off the appliance first and then remove the plug, not the cord.
- If the appliance gets wet, immediately remove the plug from the socket.
- The kettle must only be used with the lid locked and its proper base.
- Ensure to close the lid correctly before turning on the power.
- DO NOT use the kettle to heat anything other than water.
- DO NOT leave the kettle unattended during warming.
- DO NOT OPEN immediately after boiling, the steam coming out of the kettle is very hot and can burn you.
- DO NOT DISASSEMBLE the bottom of the kettle body or base to avoid risks of fire and electric shock hazards
- Place the appliance on a stable flat surface before use.
- Keep the appliance away from bath or any vessel containing water or liquids to avoid the electrical component contacting with water.
- DO NOT plug in and turn on the kettle when it does NOT contain water.
- DO NOT touch hot surfaces, open the lid of kettle or remove the kettle from the base when using the kettle.

- The appliance is intended to be used in household and similar applications such as:
 - Staff kitchen areas in shops, offices and other working environments;
 - farm houses;
 - by clients in hotels, motels and other residential type environments;
 - bed and breakfast type environments.

PRODUCT DESCRIPTION



1. Kettle lid
2. ON/OFF switch
3. Handle
4. Power cable
5. Indicator Light
6. Base
7. Kettle Body
8. Spout
9. Button to open the kettle

OPERATION

A. BEFORE FIRST USE

1. Follow the steps from 1 to 7 of the procedure described in the section " USING THE KETTLE" below. Note: When filling in, make sure to reach the ""MAX" mark without exceeding it.
2. Let the water boil. Empty the kettle and let it cool down for a few minutes.
3. Repeat the whole procedure for at least 2 times before using.

B. USING THE KETTLE

1. Take out the kettle from the base.
2. Open the lid by pressing the button lid.
3. Fill the kettle with water. Note: Wipe off the kettle body and underneath the kettle if they are wet.
4. Press the button lid while closing the lid to lock it.
5. Put the kettle back onto the base.
6. Plug in the power cord.
7. Press the ON/ OFF button on the handle. The LED indicator lights up in red.
8. When the water boils, the kettle will automatically turn off and the indicator light will go out.
9. After the boiling is finished, if you want to use it again, allow the kettle to cool down for 15 minutes before refilling with cold water.



- **DO NOT** not exceed the “MAX” level. Ensure the water level is between the ‘MIN’ and ‘MAX’ marks otherwise the water may overflow upon boiling.
- To prevent the kettle from running dry, it is recommended to fill it with at least 500 ml of water.
- **CAUTION:** The body of stainless steel kettle becomes very hot during boiling process. **DO NOT** touch it. Only use the handle.

CLEANING AND MAINTENANCE

DO NOT PUT KETTLE, BASE, ELECTRICAL CORD OR PLUG IN WATER OR ANY OTHER LIQUID.

1. Always unplug the power cord from the electrical socket and let the kettle cool down before cleaning.
2. Empty the remaining water after each use and rinse the inside.
3. Clean the outside of the kettle and the base with a soft, damp cloth, then dry them with a clean, dry cloth.
4. **Do not use steel wools or abrasive detergents to clean the kettle**
5. If necessary, use an anti-scale product for kettles to descale.

To descale it with vinegar, see the procedure below.

Descaling the kettle

1. Fill the kettle with 500 ml of white vinegar and add water without exceeding the "MAX" mark.
2. Let it soak for over 1 hour. Do not turn on the device.
3. Empty the kettle. Wipe off the limestone deposit with a damp cloth.
4. Fill the kettle with clean water, bring to boil and then pour out the water. Repeat this step again.
5. If there is still scale in the kettle, repeat all the steps above.

Note: Carry out this procedure at least every 3 months or if you observe limestone deposits inside.

STORAGE

Wrap the power cord under the base, which is equipped with a storage compartment.



WARNING: You should not dispose of this device with your household waste. A selective collection system for this type of product is implemented by your local authorities. Please contact your local authorities to find out how and where collection takes place. These restrictions apply because electrical and electronic devices contain dangerous substances that have harmful effects on the environment or on human health and must be recycled. This symbol indicates that electrical and electronic devices are collected selectively. The symbol shows a waste container crossed out with an X symbol.

If the power cable is damaged, it must be replaced by the manufacturer, his after sales service, or a person qualified in this area in order to avoid any accidents arising.

Imported by EML – PRODIS 1, rue de Rome 93110 Rosny-sous-Bois — France/ Made in P.R.C.

Marketed by EUROTUPS VERSAND GMBH D-40764 LANGENFELD, Germany

