

## Safety information

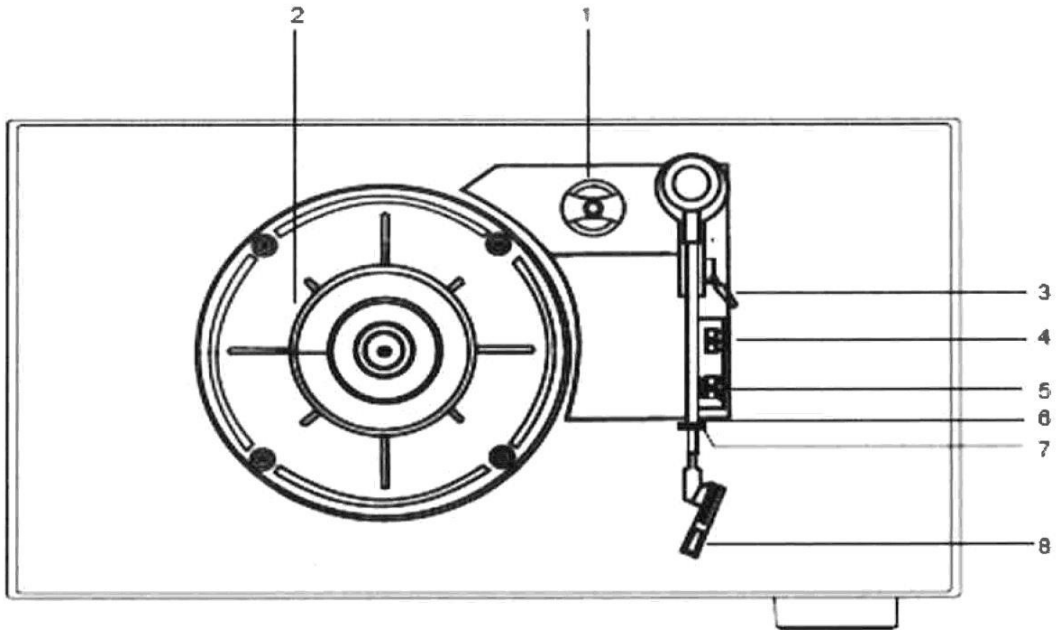
Please read the safety instructions carefully before using the product for the first time and keep the instructions for future reference.

1. This product is not a toy. Keep it out of reach of children.
2. Keep product out of the reach of children and pets to avoid chewing and swallowing.
3. Product operating and storage temperature is from 0 degree Celsius to 40 degree Celsius. Under and over this temperature might affect the function.
4. Never use old and new batteries or different types of batteries together in remote control. Remove the batteries when you are not using the system for a longer period of time. Check the polarity (+/-) of the batteries when inserting them in the product. Wrong positioning can cause an explosion. Batteries are not included.
5. Never open the product. Touching the inside electrics can cause electric shock. Repairs or service should only be performed by qualified personnel.
6. Do not expose to heat, water, moisture, direct sunlight!
7. Please protect your ears against loud volume. Loud volume can damage your ears and risk in hearing loss.
8. Bluetooth wireless technology operates within a range of about 10 m (30 feet). The maximum communication distance may vary depending on the presence of obstacles (people, metal objects, walls, etc.) or the electromagnetic environment.
9. Microwaves emitting from a Bluetooth device may affect the operation of electronic medical devices.
10. The unit is not waterproof. If water or foreign objects enter the unit, it may result in fire or electric shock. If water or a foreign object enters the unit, stop use immediately.
11. Only charge with supplied Adaptor. The direct plug-in adapter is used as disconnect device, the disconnect device shall remain readily operable. So, make sure there is space around the power outlet for easy access.

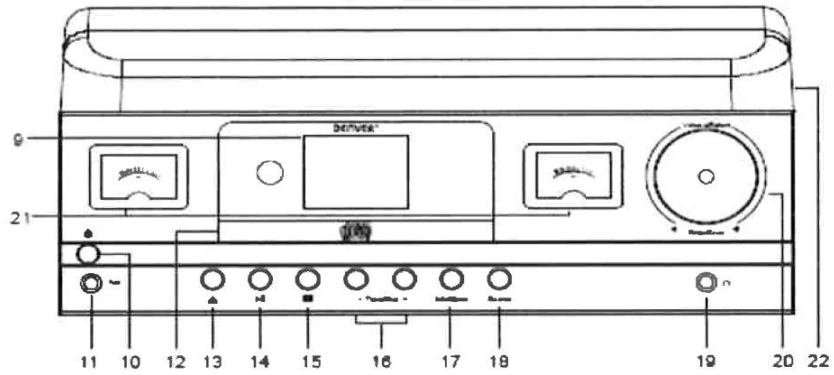
---

**Do not use non original accessories together with the product as this can make the product functionality abnormal.** **DEVICE DESCRIPTION AND FUNCTION KEYS**

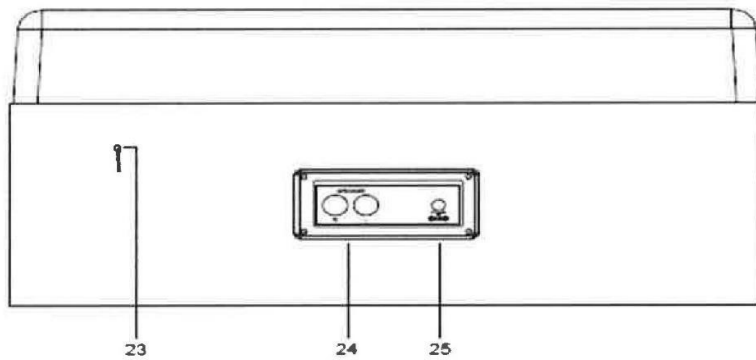
---



- |  |                              |
|--|------------------------------|
| 1 Spindle adapter.                       | 5 Turntable auto stop on/off |
| 2 Turntable platter                      | 6 Tone arm                   |
| 3 Tone arm lever                         | 7 Tone arm clip              |
| 4 33/45/78 RPM turntable speed selection | 8 Stylus and stylus cover    |

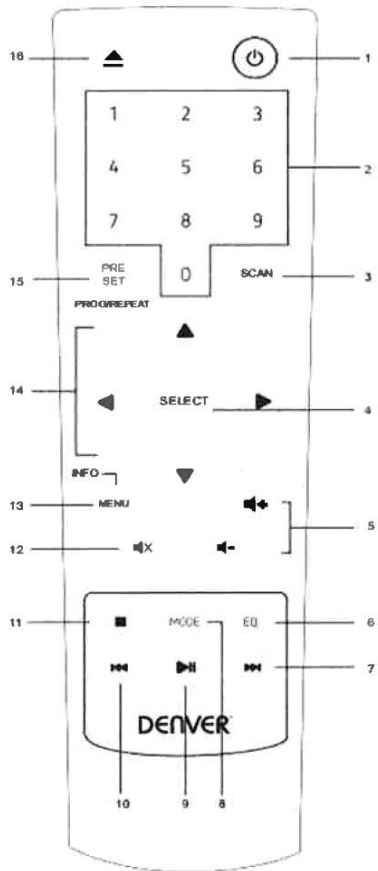


- |    |                                     |    |  |
|----|-------------------------------------|----|--|
| 9  | 2.4" color display                  | 18 | Source (Phono/CD/DAB/FM radio/BT/Aux in) |
| 10 | Power on/Standby button             | 19 | Headphone socket                         |
| 11 | Aux in socket                       | 20 | Rotary volume control                    |
| 12 | CD drawer                           | 21 | VU meters                                |
| 13 | CD drawer open/close                | 22 | Turntable dust cover                     |
| 14 | Play/Pause and Disconnect (BT mode) |    |  |
| 15 | Stop (CD mode)                      |    |  |
| 16 | Tune/Skip buttons                   |    |  |
| 17 | Radio presets/CD repeat             |    |  |



- |    |                      |
|----|----------------------|
| 23 | FM radio wire aerial |
| 24 | RCA Speaker sockets  |
| 25 | DC jack              |

Remote control



- 1 Standby (ON/OFF)
- 2 0-9 Keyboard
- 3 Scan
- 4 Select
- 5 Vol + / -
- 6 EQ
- 7 Tune + / Skip Forward
- 8 Mode (Phono / DAB / FM / CD / BT / Aux)
- 9 Play / Pause
- 10 Tune - / Skip Backward
- 11 Stop
- 12 Mute
- 13 Infor/Menu
- 14 CURSOR
- 15 Preset / Program / Repeat
- 16 Eject

---

## **SETUP**

---

### **Positioning the Retro Turntable**

Where will your Retro Turntable and speakers be situated? If you place the Retro Turntable on the same surface and very close to the speakers, the sound quality can be affected by the airborne movements coming from the speakers and from any vibrations from the surface on which they have been placed.

If at all possible, it is recommended that you leave a space of approximately 40cm between each speaker. The Retro Turntable and the surface on which you have placed the Retro Turntable and speakers, does not suffer from too much vibration, which can then be transmitted up into the Retro Turntable. Please make sure that:

- The Retro Turntable and speakers are on a flat and stable surface, which does not suffer from too much vibration. If you can, place the speakers on a different surface to the Retro Turntable.
- It is at least 1 meter away from other electrical appliances to avoid interference.
- It is within 1.4 meters of a power socket. Please ensure that the mains power lead and speaker wires are not a trip hazard.
- It is where it will be in range of the connected or 'paired' bluetooth devices (e.g. iPod/ iPhone/iPad/ Android/other phone/Computer), which is about 10 meters or fewer (33 feet or less) in line of sight.
- You do not place your Retro Turntable or speakers directly onto antique or polished surfaces..

### **Setting up**

1. Remove any product packaging materials, including any tape or foam that have been used to protect the product during transportation.
2. Connect the speakers to the Left and Right speaker sockets on the back of the Retro Turntable. Please note that the speaker cable with the red RCA plug should be connected to the red RCA socket and the speaker cable with the white RCA plug should be connected to the white RCA socket.
3. Fully extend the wire radio aerial on the back of the Retro Turntable to receive the best possible FM radio with sound quality.
4. Plug the mains power into the mains power wall socket and switch on. Your Retro Turntable will now be in Standby mode.
5. We recommend that you now set the clock.

---

## FIRST STEPS AND USE

---

### Set the clock

In standby mode:

1. Short press the POWER button.
2. A '0000' will now flash in the display. Short press the Tune/Skip buttons to display the correct hour and then short press the Play button to confirm.
3. The minute digits will then flash in the display. Short press the Tune/Skip buttons to display the correct minutes and then short press the Play button to confirm.
4. Your clock is now set and will be displayed in Standby mode.

### Power on

Short press the Power button. Your Retro Turntable will turn on, 'DAB' will be displayed, and your product will be in Phono/Turntable modes.

### Standby mode

This product is designed to go to Standby mode automatically after 15 minutes (approximately) if not receiving any audio signal. Short press the Power button to switch your product back on again.

### Changing the source (mode)

Short press the Source button to change among Phono (Turntable), CD, DAB, FM, BT and Aux in modes. Please check the display, which will confirm the mode.

### Adjusting the volume

Turn the large right hand rotary volume control clockwise to increase the volume and anti-clockwise to decrease the volume.

---

## **RECORD PLAYER**

---

Check that your Retro Turntable is in PHONO/Turntable mode. If you are not already in PHONO mode, repeatedly short press the Source button until you are in PH mode (check the display). PHONO will be displayed.

### **Auto Stop On/Off**

Under the dust cover and to the right of the tone arm, there is an OFF/ON slide switch. This is for the turntable auto stop feature.

If you would prefer the turntable to only turn when the tone arm is moved over the record and to stop when the record stops, then set this switch to ON. If you would prefer for the turntable to turn as soon as you select PH/ Turntable mode and to continue turning even when the record you are playing comes to an end, you change to another mode or switch the Retro Turntable product to Standby mode, then set this switch to OFF.

### **Changing the Turntable speed (RPM)**

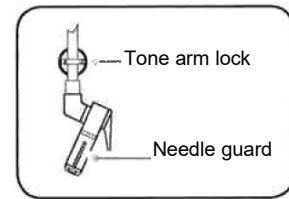
Before you play a record, you need to check the correct speed or RPM that the record should be played at. Your Retro Turntable has 3 RPM speeds: 33, 45 and 78 RPM.

The RPM selector switch is under the dust cover and to the right of the tone arm.

### **Playing a record**

1. Lift the dust cover.
2. Check if the record you intend to play will need the spindle adapter and place this over the spindle, if necessary.
3. Place your record onto the turntable felt mat (not included).
4. Check that you have removed the protective cover from the stylus and unclipped the tone arm.

5. Select the correct speed for your record using the RPM selector switch.
6. Choose to turn the auto stop for the turntable on or off, as required.
7. Use the tone arm lever to lift the tone arm.
8. Move the tone arm across to your record.
9. Use the tone arm lever to gently lower the stylus onto the groove on your record. Your record will begin to play.
10. Use the large right hand rotary control to adjust the volume.
11. At the end of the record, if you have selected auto stop, the turntable will stop turning automatically, otherwise it will continue to turn until you change the mode or switch the product to Standby mode.
12. Use the tone arm lever to lift the tone arm.
13. Move the tone arm across to the rest position.



### Suspend playing

To temporarily suspend playing your record.

1. Use the tone arm lever to lift the tone arm and stylus from the record.
2. To resume play, use the tone arm lever to gently lower the stylus onto your record again.

---

## CD PLAYER

---

Check that your Retro Turntable is in CD mode. If you are not in CD mode, repeatedly short press the Source button until you are in CD mode (check the display). The display will show 'CD', followed by '- - -'. If the CD compartment is empty, 'NO Disc' will then be displayed.

### Play a CD

---

Note: It is not possible to play DVD or computer CDs or MP3 CDs.

---

1. Short press the ▲ button to open the CD drawer. 'OPEN' will be displayed..
2. Place an audio CD on to the CD tray with the CD's label side up. Please ensure that the CD is lying flat within the recessed CD shaped area on the tray.
3. Short press the ▲ button. The CD drawer will close, '- - -' will be displayed and after a short delay the first track will begin to play; the elapsed time of the track will be displayed.



**CD controls**


**Play/Pause:** Short press the ▶|| button The track number will show in Pause mode.  
Short press the ▶||.




**Next track:** Short press the Tune/Skip + button

**Previous track:** Short press the Tune/Skip - button

**Stop:** Short press the ■ button.

**Repeat and Random modes**

Short press the Preset/Repeat button on remote control. A  icon is displayed.  
Continuously short press the Repeat button to cycle through the available options of:

-  Repeat (current track)
-  Repeat all (all the tracks on the CD)
-  Random play order
- Short press the Preset/Repeat button on remote control one more time to turn off Repeat and Random modes.

**Remove the CD**

Short press the ▲ button. The CD drawer will open and 'Open' will be displayed.

Remove the CD from the compartment.

Short press the ▲ button to close the CD drawer. ' - - -' followed by 'NO Disc' will be displayed.

---

Note: If you stop or pause playing a CD for approximately 15 minutes, your product will go to Standby mode automatically.

---

---

## **FM RADIO**

---

If you are not in FM mode, repeatedly short press the Source button to go to FM mode (check the display). If you were listening to an FM station when you switched the product to standby mode then this station will be automatically selected when you switch the product back on.

### **Wire radio aerial**

Please make sure that the wire aerial on the back of the Retro turntable is fully extended and adjusted before you attempt to tune to an FM radio station (a vertical position is recommended). This will ensure that the maximum signal strength is available when the product begins to scan. Extending the aerial also ensures the best possible sound quality.

### **Tuning to an FM station**

In FM mode:

Long press the Tune/Skip + button to scan up the frequency band.

Long press the Tune/Skip - button to scan down the frequency band.

Short press the Tune/Skip + or - button to adjust the frequency band in 0.05MHz steps.

---

Note: If reception is poor, check whether the wire aerial is fully extended or try moving the product to another location.

---

### **Storing an FM station preset**

Your Retro Turntable can store up to 20 FM stations in its preset memories for instant access to your favorite stations.

1. Tune the Retro Turntable to the FM radio station that you wish to preset.
2. Long press the Preset button on remote control to Preset Store until "01 (Empty)" starts to show on the display, where "01 (Empty) to "20 (Empty) " are the preset numbers
3. Short press the ▲ or ▼ button on the remote control or use the Tune/Skip+ or - button on the Retro Turntable to move the preset number that you would like to store the radio station to (1-20).
4. Short press the Select button on remote control. 'Preset 01 stored' the preset has been stored.

Note: If there is an existing FM station stored under a preset, it will be overwritten when you store new stations.

## Tuning to an FM station preset

In FM mode:

1. Short press the Preset button on remote control to the preset locations (1-20).
2. Short press the ▲ or ▼ button on remote control or use the Tune/Skip + or - button on the Retro Turntable to move the preset number that you would like to listen the radio station. Short press the Select button then your product will tune to and play the stored station.

---

## DAB RADIO MODE

---

- Check that your Retro Turntable is in DAB mode. If you are not in DAB mode, repeatedly short press the Source button to go to DAB mode (check the display)
- The first time you use your Retro Turntable or if the station list is empty, your Retro Turntable will automatically begin to scan for DAB radio stations. Scan and then after a short delay the number of stations found during the scan will also be displayed.
- If you were listening to a DAB station when you switched the Retro Turntable off, then this station will automatically be selected when you switch the radio back on.

### Wire radio aerial

Please make sure that the wire aerial on the back of the Retro Turntable is fully extended and adjusted before you attempt to tune to a DAB radio station (a vertical position is recommended). This will ensure that the maximum signal strength is available when the Retro Turntable begins to scan. Extending the aerial also ensures the best possible sound quality.

### Changing DAB stations

In DAB mode:

1. Use the Tune/Skip + or - buttons to scroll through the available stations.
2. When the station that you would like to listen to is displayed, short press the Select button. There will be a short delay while your Retro Turntable tunes to your selected station.

### Scanning for DAB stations

With DAB radio, additional stations and services regularly become available so it's a good idea to carry out a manual scan every now and then to make sure that you have the most up to date station listing stored within the memory of your Retro Turntable.

If you have moved your Retro turntable to another location, e.g. if you go on a holiday, then it is also a good idea to carry out a manual scan.

In DAB mode: Press and hold the MENU button or Scan button of Retro Turntable or press the MENU button of remote control, short press the ▲ or ▼ buttons on remote control or use Turn/Skip + or - on Retro Turntable to select full scan then press Select button to full scan.

### **Prune DAB stations**

You can remove the DAB stations in the station list that cannot be received in your area. These are listed with a '?' prefix.

1. Long press the MENU button on Retro Turntable or press the MENU button on remote control. Use the - Tune/Skip + buttons or press the ▲ or ▼ on remote control to scroll to Prune. Short press the Select button.
2. Prune and NO and yes is displayed. Use the Tune/Skip - button to scroll to Y. Short press the Select button to prune the station list. Stations with a '?' prefix will now no longer be displayed.
3. Short press the MENU button on Turntable or the MENU button on remote control to exit the Menu options.

### **Storing DAB Stations preset**

Your Retro Turntable can store up to 20 DAB radio stations in its preset memories for instant access to your favorite stations.

1. Tune the Retro Turntable to the DAB radio station that you wish to preset.
2. Long press the Preset button on remote control to Preset store until 01 (Empty) is displayed (Where 01 Empty to 20 Empty are the preset number).
3. Use the ▲ or ▼ buttons to move the preset number that you would like to store the radio station to (Empty 1-Empty 20).
4. Short press the SELECT button to store the station to that preset location. Stored stations will be displayed.

---

Note: If there is already an existing DAB station stored under a preset, it will be overwritten when you store the new station

---

### **Tune to a DAB station preset**

In DAB mode:

1. Short press the Preset button on remote control to preset recall. The name or a stored station will be displayed, or "01 Empty" if no station has been stored.
2. Use the ▲ or ▼ buttons or use Tune /Skip + or - to move the preset location and station that you would like to listen to (1-20).
3. Short press the Select button. Your Retro Turntable will instantly tune to that station and begin to play.

### **Equaliser**

Such as "Rock", "Speech", "My EQ", "Normal", "Classic", "Jazz" or "Pop".

---

## BT MODE

---

With your Retro turntable you can connect wirelessly to other compatible BT devices and stream music, which can then be heard through the Retro Turntable stereo speakers.

Before you can use your Retro Turntable in BT mode, you need to 'pair' it with a BT capable device, such as an iPod/iPhone/iPad/tablet/Android/ other phone/Computer.

1. If you are not in BT mode, repeatedly short press the Source button to go to BT mode (check the display).
2. 'BT' will be displayed and "not connected" will be shown in the display while your product searches for BT devices.
3. On the device that you would like to connect to your Turntable via BT (e.g. iPod/iPhone/ iPad/Android/other phone/Tablet/Computer), turn on BT connectivity and ensure that it is 'discoverable'.

---

Note: If necessary, refer to the instructions for your device to add or set up Bluetooth.

---

4. When found, your Retro Turntable will be displayed as 'MRD-52'. Select the device name to begin pairing.

---

Note: If your device requests a password, please enter '0000' to complete the device pairing.

---

5. When pairing is complete, "connected" will be shown and the devices will remain continuously on.
6. Now that you have paired your device with the Retro Turntable, they are connected when it is within range, which is about 10 meters or fewer (33 feet or less) in line of sight.
7. Your device will remain paired with the Retro Turntable unless you decide to disconnect or 'unpair' it.

---

Note: If your previously paired device is within range but does not automatically connect, go to the BT connectivity settings on your device and select 'MRD-52' to reconnect.

---

### Controlling a paired BT device

Once paired you can adjust the volume using the right hand rotary volume control. You can also use the controls on the connected audio device.

1. Select and start the music or audio that you wish to listen to on your paired BT device, it will now be heard through the Retro Turntable speakers. Adjust the volume on the connected device and/or your product.

2. You can use the controls on your paired BT device as well as those on the Retro Turntable when listening to music via BT.

Controls available on your product are:

### **Play/Pause**

Short press to play/pause ▶||.

---

Note: If you long press the ▶|| button for 3 seconds, you can disconnect the current BT device and search for new devices.

---

### **Skip back**

Short press the Tune/Skip - button.

### **Skip forward**

Short press the Tune/Skip + button.

---

Note: If you do not use or pause your Retro Turntable for approximately 15 minutes and no audio signal is received, it will automatically go to Standby mode.

---

## **AUX IN MODE**

---

Check that your Retro Turntable is in Aux in mode. If you are not in Aux in mode, repeatedly short press the Source button to go to Aux in mode (check the display).

Using a 3.5mm audio input connection cable (not included), Aux in allows for a quick and easy connection to an external sound source.

1. Connect one end of the 3.5mm audio connection cable to the headphone (or auxiliary out) socket of your secondary device, connect the other end to the Aux in socket on the front of your Retro Turntable.
2. Press the Play button on your external device to start playback through the Retro turntable speakers. To gain optimal volume levels, adjust the output volume level on both the secondary device and on the Retro turntable.

---

Note: It is recommended that you unplug the Audio cable from the Aux in socket after you have finished listening to your external device.

---

---

**Technical specification**


---

Power	Input DC 9 V/2 A
Audio output	2 x 5 W RMS
Frequency range	
FM	87.5 - 108 MHz
DAB	174.928 - 239.2 MHz
Bluetooth	2402 - 2480 MHz
Version	5.0
Pairing name	MRD-52

EN	
Manufacturer's name or trade mark, commercial registration number and address	SHENZHEN CITY HONG BEN ELECTRONICS CO., LTD 91440300789224369T 5th & 6th Floor, No. 4 Building, Yuyongxing Industrial Park, Changfeng Road, Changzhen Community, Gongming Office, Guangming New Sistrict, Shenzhen, Guangdong, P.R. China
Model identifier	HB40-0902000SPA
Input voltage	100-240V
Input AC frequency	50/60Hz
Output voltage	9.0V
Output current	2.0A
Output power	18.0W
Average active efficiency	86.10%
Efficiency at low load (10%)	--
No-load power consumption	0.0820



Please notice - All products are subject to change without any notice. We take reservations for errors and omissions in the manual.

ALL RIGHTS RESERVED, COPYRIGHT DENVER A/S



Electric and electronic equipment contains materials, components and substances that can be hazardous to your health and the environment, if the waste material (discarded electric and electronic equipment) is not handled correctly.

Electric and electronic equipment is marked with the crossed out trash can symbol, seen above. This symbol signifies that electric and electronic equipment should not be disposed of with other household waste, but should be disposed of separately.

All cities have established collection points, where electric and electronic equipment can either be submitted free of charge at recycling stations and other collection sites, or be collected from the households. Additional information is available at the technical department of your city.

Hereby, Denver A/S declares that the radio equipment type MRD-52 is in compliance with Directive 2014/53/EU. The full text of the EU declaration of conformity is available at the following internet address: [denver.eu](http://denver.eu) and then click the search ICON on topline of website. Write model number: MRD-52 Now enter product page, and red directive is found under downloads/other downloads.

Operating Frequency Range: FM 87.5-108MHz / DAB 174.928-239.2MH /Bluetooth 2402-2480MHz

Max Output Power: 2 x 5 W

DENVER A/S  
Omega 5A, Soeften  
DK-8382 Hinnerup  
Denmark

[www.facebook.com/denver.eu](http://www.facebook.com/denver.eu)