

MD804/ BSV-SP180PX

SOLAR FOUNTAIN WITH LED

INSTRUCTION MANUAL

PLEASE READ THE MANUAL BEFORE YOUR FIRST USE.
KEEP THIS MANUAL SAFE FOR FUTURE REFERENCE!

PRODUCT FEATURES

This product must be situated in a location where it will receive direct sunlight to function at optimum capacity.

SPECIFICATIONS

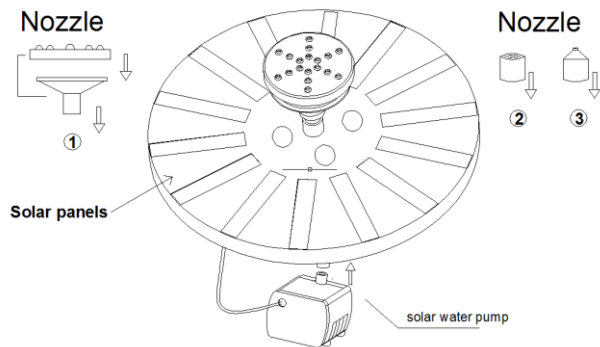
- Solar panel : 1 x polysilicon panel **5V,1.4W**
- Pump: Input : **3.7V/ 0.55W** 150mA
- Battery: 1 x lithium battery, 3.7V/1500mAh
- Diameter of solar fountain : 16 cm
- Max flow quantity of pump: 200 L/H
- Max Water spray height of Pump : 55CM
- LED: 4 pieces of colorful lights
- Charging time for full charge: around 7 hours if the sunlight is strong

INSTALLATION

Before use, check that the accessories below are included:

- 1 x water pump,
 - 1 x solar fountain with several solar panel,
 - a set of 5 nozzles.
1. Carefully check and ensure that a rubber waterproof ring at the end of the water pump plug. Then, insert the plug into the socket marked with "PUMP" at the solar panel bottom. Ensure it is inserted deeply. Finally, the water outlet of the pump should be inserted into the middle of the solar panel bottom to connect.
 2. Select the nozzle you like and insert into the middle interface of the solar panel.
 3. After finishing the assembly, turn the solar panel direction to the sunlight, and the pump start to work. Note: If you place the solar fountain in the sun without putting it in the water, it will work intermittently. Without water, it will automatically start and stop about 10 times. If need restart, you should pull out the plug of the pump, plug it into the socket, and then immediately put the fountain in water.
 4. Put the assembled solar fountain in the pool, and it starts spraying water if it is directed to the sun. Ensure that no obstacles or objects in the pool prevents the sunlight to reach the fountain. If the water spray does not smoothly, take out the sprinkler head first to expel the internal air in the pump. When the water spray is normal, then insert the sprinkler head.

ASSEMBLY DRAWING:



Note: If you either choose nozzles (2 and 3), put them directly in the center of solar fountain. No additional accessory is needed.

OPERATION :

1. When the solar panel is directed to the sunlight, the pump functions automatically. The process is as follows: the control circuit automatically inducts to open the working mode and charges the electric energy to the battery. When the battery reaches a certain amount of power, the water pump starts to work. The electricity generated by the solar panels is supplied to the water pump. If the sunlight is very strong, the input of sunlight will be greater than the output of the pump and the excess energy, converted into electricity, will be stored in the rechargeable battery, and directly supplied to the water pump at night or when the sunlight is weak or when the solar panel cannot generate electricity. This energy will enable the sprinkler head to work at night.
Note: if the plug of water pump is not inserted into the socket, only the solar panel can convert the solar energy into electric energy and store it into the rechargeable battery. Refer to charging time in part: Specifications.
2. When there is no light at night, the LED lamp will automatically turn on and change into different color LEDs since the colour programming is automatic.
Note: The main colors are red, blue and green and sometimes two colors are mixed to show multiple colors. The LED lamp is off during the day and is on at night.
3. The water pump is equipped with the functions of waterproof protection and plugging protection. If there are some obstructions which block the proper functioning of the pump, it will automatically stop working. First, pull the pump plug, remove the object causing obstruction, then plug the pump again.

NOTES:

1. If there is no water, disconnect the pump from the battery and solar panel. If you let the pump running dry, the pump life will be reduced.
2. If the fountain is not used or before transport, please disconnect pump from the battery.
3. Make sure to place the solar panel in a location in a pond, basin, etc. where it receives direct sunlight.

Caution

- Always keep the pump under the water surface when operating.
- Change water frequently to keep the water clean in order to avoid any dirt to impede the pump.
- Keep the surface of solar panel clean for optimum performance.

SAFE INSTRUCTIONS FOR RECHARGEABLE BATTERY

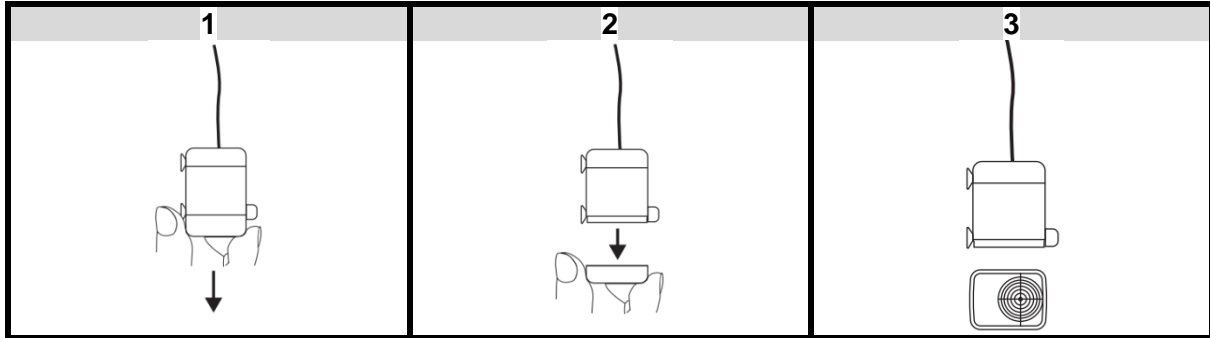
ATTENTION

- Lithium batteries can easily rupture, ignite, or explode when exposed to high temperatures, or direct sunlight.
- Do not disassemble or modify the battery. The battery contains safety and protection devices, which, if damaged, may cause the battery to generate heat, explode or ignite.

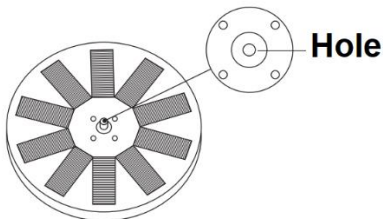
Since the battery cannot be removed from the product, please dispose of the product together with battery safely in the collection points intended for disposal of this kind of product. Make sure that the battery has been completely discharged before disposing of the product.

CLEANING AND MAINTENANCE

- Clean the pump filter on the pump's socket after use. Wipe it dry with a cloth. See below for the procedure of removal.



- Regularly clean the accessory parts, particularly the holes, and water pump with water if they are dirty and wipe dry. Ensure that there are no obstructions in the holes of accessory part to guarantee the proper operation of solar fountain.



- If there are some scale stains near the solar panels, clean them.
- Clean the hole in the center of the solar panels.



WARNING: You should not dispose of this device with your household waste. A selective collection system for this type of product is implemented by your local authorities. Please contact your local authorities to find out how and where collection takes place. These restrictions apply because electrical and electronic devices contain dangerous substances that have harmful effects on the environment or on human health and must be recycled. This symbol indicates that electrical and electronic devices are collected selectively. The symbol shows a waste container crossed out with an X symbol.



Imported by EML – trading name Prodis 1, rue de Rome 93110 Rosny-sous-Bois-France/ Made in PRC
Marketed by EUROTUPS VERSAND GMBH D-40764 LANGENFELD